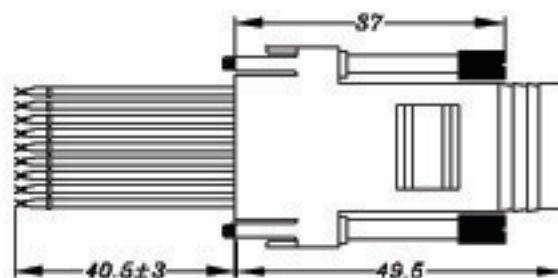
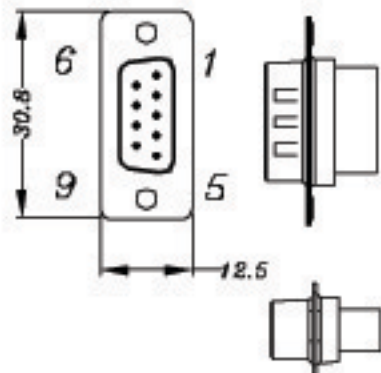


PROJECT :

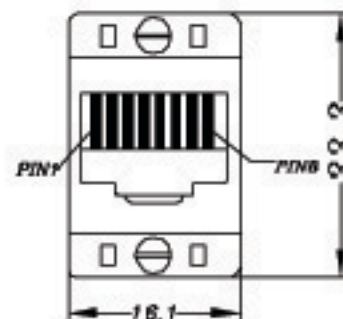
APPROVED :

DATE :

**DB9 MALE
CRIMP TYPE**



RJ45 JACK



PIN ASSIGNMENT

RJ45	DB9M
1	BLUE
2	ORANGE
3	BLACK
4	RED
5	GREEN
6	YELLOW
7	BROWN
8	WHITE

11	WIRE CABLE WHITE	1	90mm		
10	WIRE CABLE BROWN	1	90mm		
9	WIRE CABLE YELLOW	1	90mm		
8	WIRE CABLE GREEN	1	90mm		
7	WIRE CABLE RED	1	90mm		
6	WIRE CABLE BLACK	1	90mm		
5	WIRE CABLE ORANGE	1	90mm		
4	WIRE CABLE BLUE	1	90mm		
3	RJ45 6P8C JACK ADAPTER SCREW COLOR BEIGE	2	PCS		
2	DB9 MALE SELECT COLOR PLASTIC BLUE	1	PCS		
1	RJ45 6P8C JACK ADAPTER COLOR BEIGE	1	SET		
NO.	PART NO.	DESCRIPTION	VENDER	QTY	UNIT/REF

ROHS

CONFIDENTIAL

REV	REV./NO.	DESCRIPTION	DATE
		ASSMANN Electronics, Inc.	
		TITLE: MODULAR JACK DB9M TO RJ45	
DATE	BY	DRW. NO.	REV
2007/05/17	Danny		A
DESIGNED	CHECKED	COR. P/NO.	REV
		AT-23066-R	
MANAGER	DATE	CUR.	
		X013	
APPROVAL	SHEET 1 TO 1		
SL			